

Gas - Glas / Verre  
68 cm  
Glass

EAN 5414425117239



## Cooking Zones

---

- Front left : 1000 W
- Rear left : 1750 W
- Center : 3350 W
- Rear right : 1750 W
- Front right : 1000 W

## Functions & features

---

- Grill function -
- Automatic pan recognition -
- Residual heat indication -
- Childproof lock -
- Pause function -

## Design

---

- Control method Rotary switch
- Glass edge Bevelled
- Mounting method Surface, Flushline

## Dimensions

---

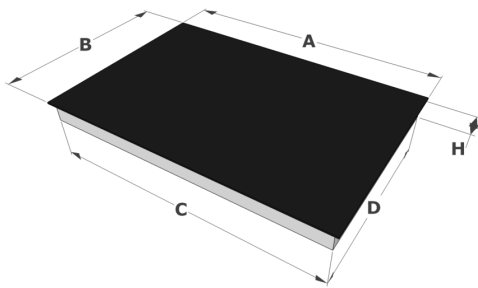
- Product dimensions (WxDxH) (mm) 680 x 500 x 50
- Cut-out worktop (WxD) (mm) 560 x 470

## Technical specifications

---

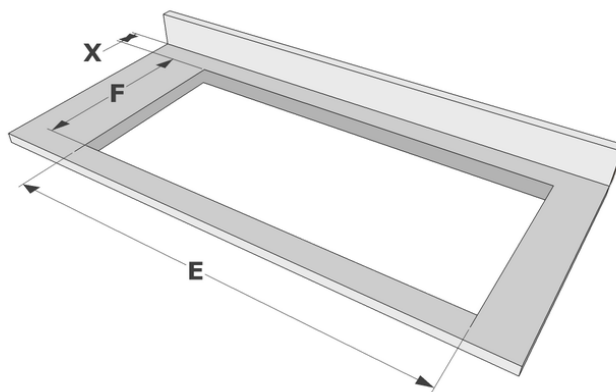
- Maximum power 8850
- Electrical connection 220-240V 1L+N
- Frequency (Hz) 50-60
- Net weight (kg) 16

Dimensions



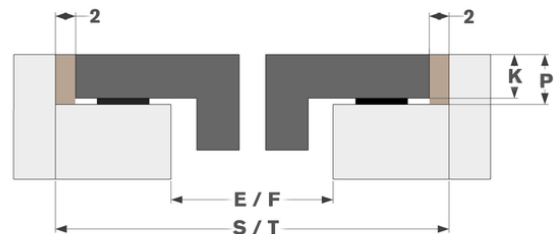
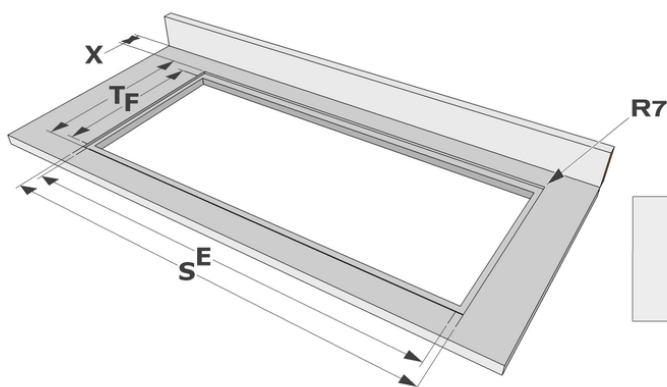
	A	B	C	D	H
mm	680	500	552	460	50

Surface



	E	F	K	P	X
mm	560	470	8	10	50

Flushline



	E	F	S	T	K	P	X
mm	560	470	684	504	8	10	50